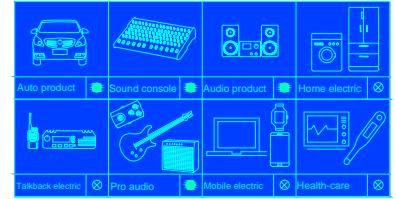


Features

- Compact 9mm design
- Carbon element
- Ganging up to 12 sections available
- Audio taper option
- luminous shaft-various light color available
- Adjusting shaft type is rich



Notes: ● Recommend ○ Not recommend

RV97 Series-9.5mm Sealed Insulation Shaft Rotary Potentiometer

How To Order

RV97P0N0-TB10B7.0-B503-0000

A Rotary Potentiometer Model:97
 C PC Pin Vertical/Terminal Size
 D Switch Configuration
 NO=No Switch NS=Rotary Switch
 F Standard Shaft Length"L"
 H Installation Dimension"A"
 I Resistance Curve and Resistance Value

B Bushing Specification"W"
 P=1.5 C=4.0 R=5.0
 E Shaft Style
 G Shaft Materials
 B=Black Insulation Shaft
 H=Gary Insulation Shaft
 J=Golden Insulation Shaft
 T=Pellucid Insulation Shaft
 J Serial number

Resistance Curve To See:Tapers

Code	501	102	103	253	503	104	105
Value	500Ω	1KΩ	10KΩ	25KΩ	50KΩ	100KΩ	1MΩ

Mechanical Characteristics

Total Rotational Angle.....300°±10°
 Shaft Stopper Strength.....3Kgf.cm min.
 Shaft Wobble.....0.5 x L/20mm p-p max.

Rotational Torque.....10 to 150gf.cm
 Shaft Push-Pull Strength.....5Kgf 10s min.
 Soldering Condering.....
 Manual Soldering.....96.5 Sn/3.0 Ag/0.5 Cu Sold Wire Or No-clean Rosin Cored Wire 280 °C Max.For 3 Seconds
 Wave Soldering.....96.5 Sn/3.0 Ag/0.5 Cu Solder With No-clean Flux 260 °C Max.For 5 Seconds
 Wash Process.....Not Recommended

Electrical Characteristics

Standard Resistance Range.....200Ω To 2MΩ
 Maximun Operating Voltage.....150 VAC,20 VDC
 Noise.....100 mV max.
 Voltage proof.....300V AC for 1 minute.
 Insulation resistance.....100MΩ min. 250V DC

Total Resistance Tolerance.....±10 Or ±20%
 Rated Power.....
 Linear Taper.....0.05 Watts
 Audio Taper.....0.025 Watts
 Residual Resistance.....20 Ω max.

Environmental Characteristics

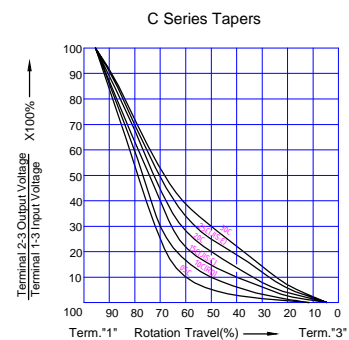
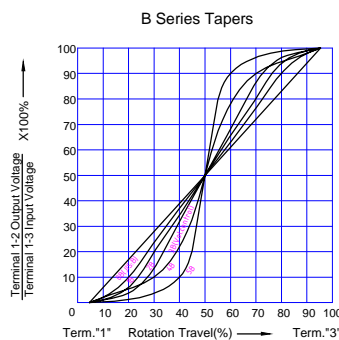
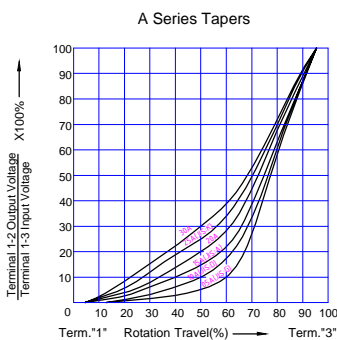
Operating Temperature Range.....-10 to +70
 Storage Temperature Range.....-40 to +85

Sealability(Optional).....IP40 or IP67

Durability Characteristics

Rotational Life.....10,000 cycles

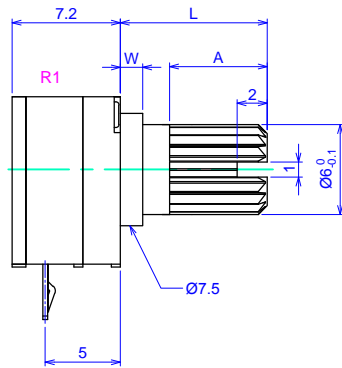
Tapers



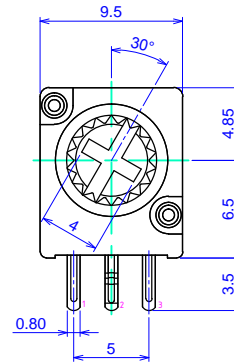
Product Dimensions

Unit:mm

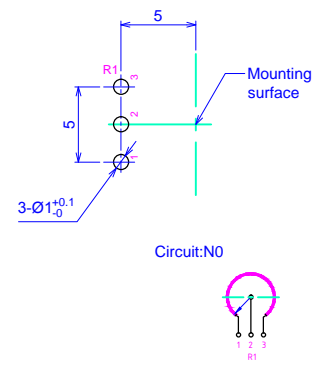
RV97P0N0



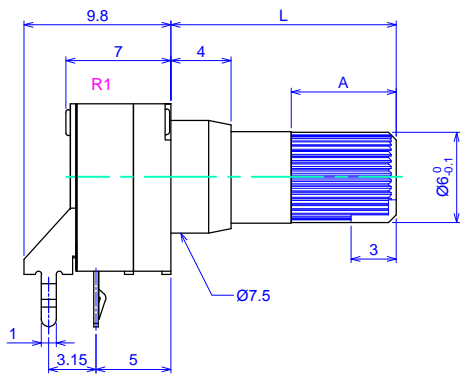
Shaft shown in full CCW position



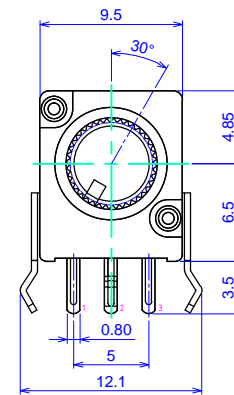
PC board mounting hole dimensions (Viewed from mounting side)



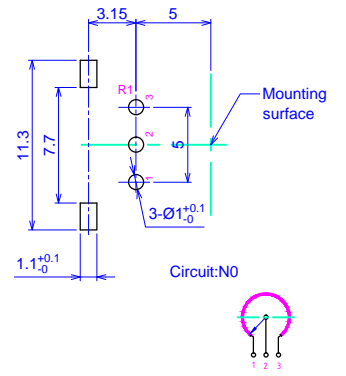
RV97C3N0



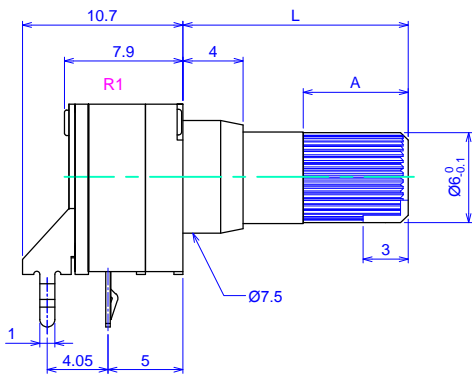
Shaft shown in full CCW position



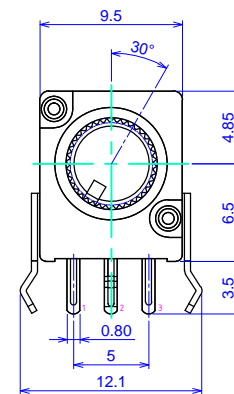
PC board mounting hole dimensions (Viewed from mounting side)



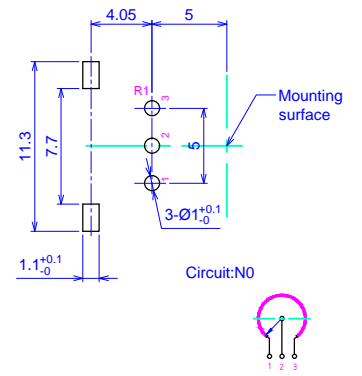
RV97C5N0



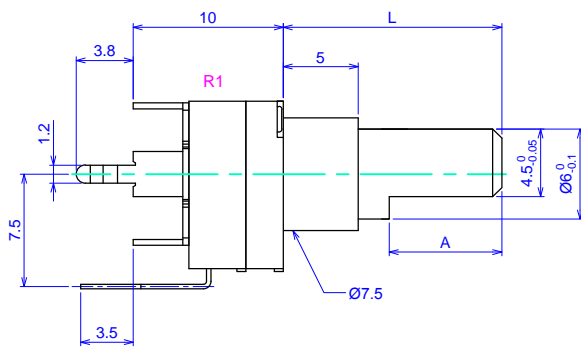
Shaft shown in full CCW position



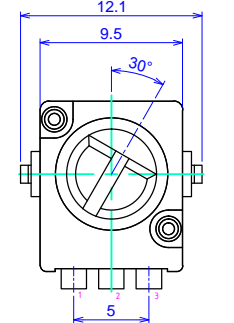
PC board mounting hole dimensions (Viewed from mounting side)



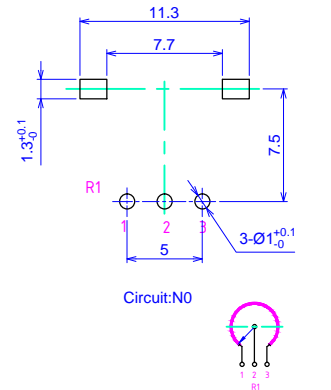
RV97P2N0



Shaft shown in full CCW position



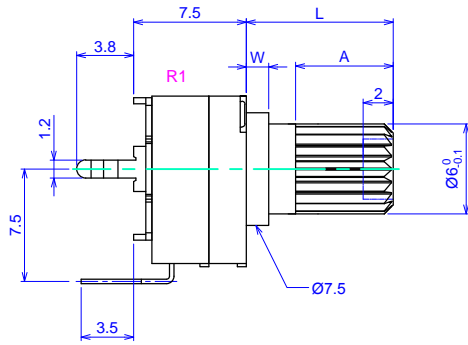
PC board mounting hole dimensions (Viewed from mounting side)



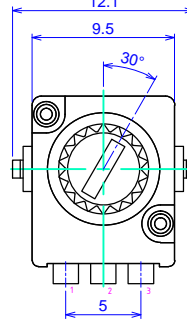
Product Dimensions

Unit:mm

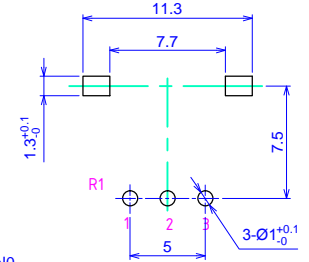
RV97P6N0



Shaft shown in full CCW position



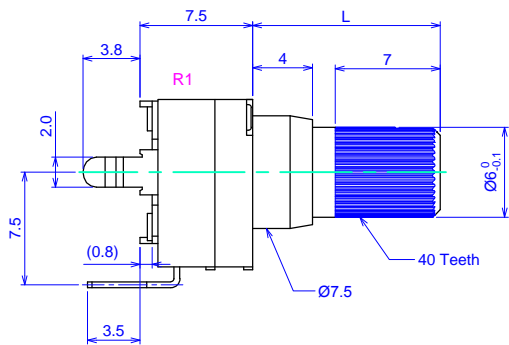
PC board mounting hole dimensions (Viewed from mounting side)



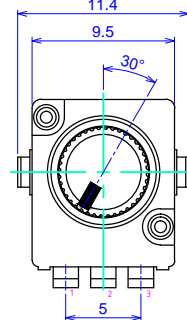
Circuit:NO



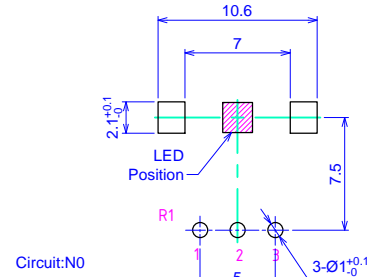
RV97C4N0



Shaft shown in full CCW position



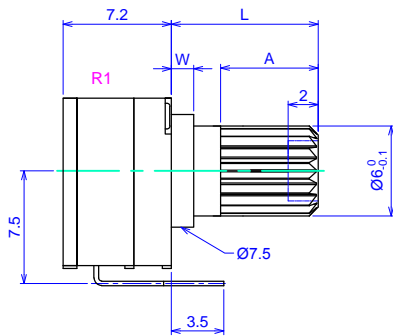
PC board mounting hole dimensions (Viewed from mounting side)



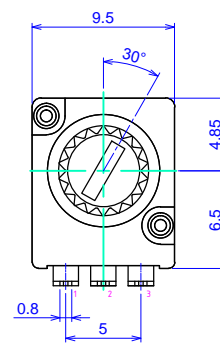
Circuit:NO



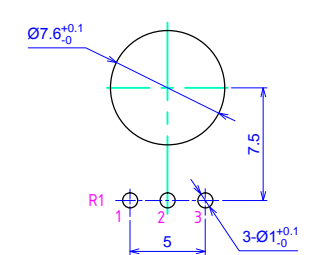
RV97PFN0



Shaft shown in full CCW position



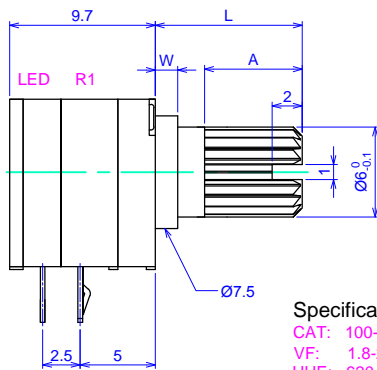
PC board mounting hole dimensions (Viewed from mounting side)



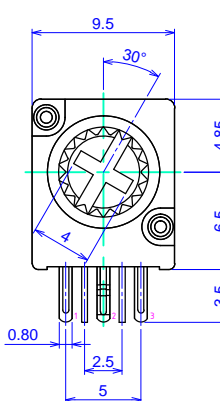
Circuit:NO



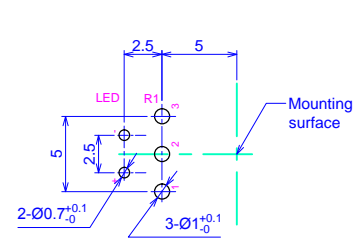
RV97P0N0(LED)



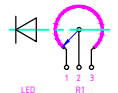
Shaft shown in full CCW position



PC board mounting hole dimensions (Viewed from mounting side)



Circuit:NO

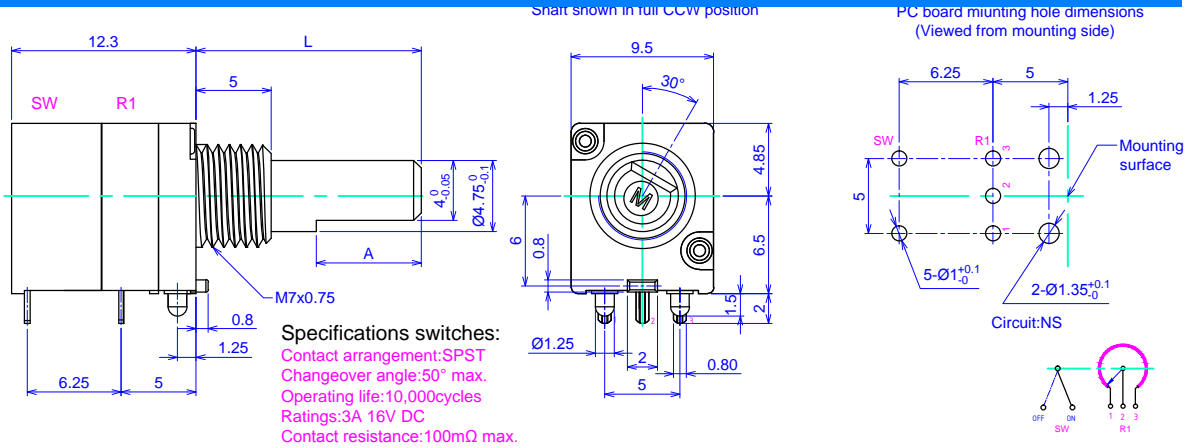


Specifications LED:
 CAT: 100-400mcd
 VF: 1.8-2.2V
 HUE: 620-630nm
 TIME: 30Khour

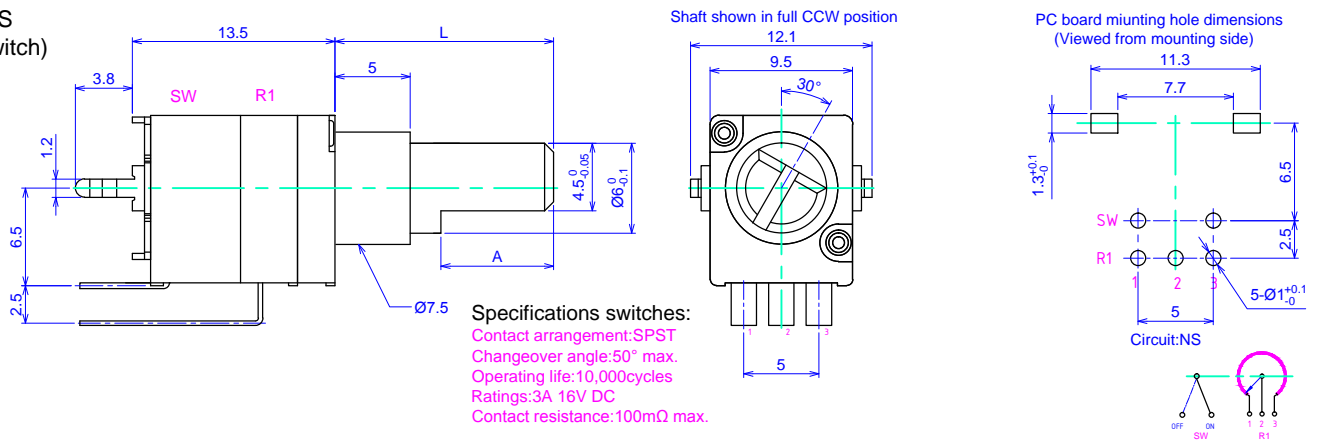
Product Dimensions

Unit:mm

RV97X1NS
(Rotary switch)

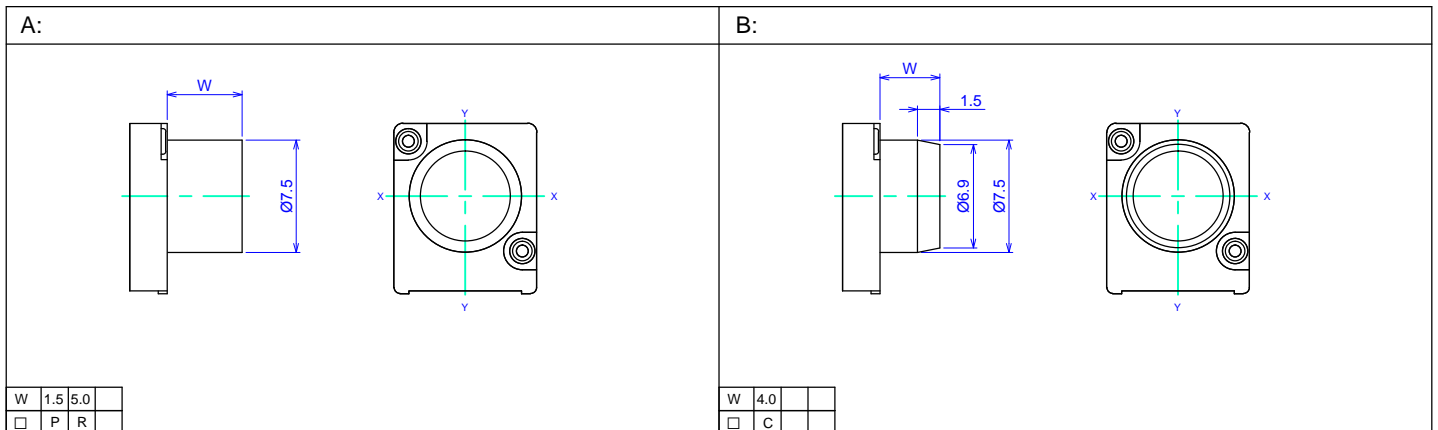


RV97R2NS
(Rotary switch)



Bushing Type

Unit:mm



◆ Notes:

- Normal color for bushing is black.
- Bushing length and color can be customized.
- The bushing type shown are normal, if special bushing type needed, please contact with us.
- Material for bushing is PC, if need other material please contact with us.

Shaft Specifications

Unit:mm

TB-Shaft Type		Detail Dimensions		TS-Shaft Type		Detail Dimensions					
<p>Shaft shown in full CCW position</p>				<p>Shaft shown in full CCW position</p>							
L	6.5	9.5	10.5	14.5	19.5	L	3.5	6.5	9.5	14.5	
A	4.5	7.0	7.0	7.0	7.0	A	2.0	4.5	7.0	7.0	
TC/TR-Shaft Type		Detail Dimensions		TA-Shaft Type		Detail Dimensions					
<p>Shaft shown in full CCW position</p>				<p>Shaft shown in full CCW position</p>							
L	6.5	9.5				L	9.5	14.5			
A	4.5	7.0				A	7.0	7.0			
TG/TJ-Shaft Type		Detail Dimensions		PB-Shaft Type		Detail Dimensions					
<p>Shaft shown in full CCW position</p>				<p>Shaft shown in full CCW position</p>							
L	6.5	9.5	14.5			L	12.5	15			
A	4.5	7.0	7.0								
SB-E/Y-Shaft Type		Detail Dimensions		FA-Shaft Type		Detail Dimensions					
<p>Shaft shown in full CCW position</p>				<p>Shaft shown in full CCW position</p>							
L	10	15				L	10	15			
						A	7.0	7.0			

◆ Notes:

- Normal color for shaft is black.
- Shaft length and color can be customized.
- The shaft type shown are normal, if special shaft type needed, please contact with us.
- Material for shaft is PC, if need other material please contact with us.

1. The shaft is transparent, black is available.
2. The pointed area is black, white is available.
3. Color can be customized when color chip is provided.