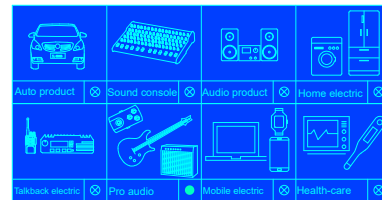


Features

- Durable structure which available with 3PDT operation.
- Wide variety of mounting styles
- Center detent option
- RoHS compliant



Notes: ● Recommend ⊗ Not recommend

SF17 Series-17mm Foot Switch

How To Order

SF17011L-001

A B C D E F

- A Foot Switch
- B 170 Series
- C Shaft sleeve size
- D Terminal Configuration(Pin Layout)
- E L-shaped switch form
- F Serial number

Mechanical Characteristics

- Operating Force.....
 - Initial3.0 ± 0.8 kgf.cm
 - After durability test.....3.0 ± 1.0 kgf.cm
- Soldering Condering.....
 - Manual Soldering.....96.5 Sn/3.0 Ag/0.5 Cu Sold Wire Or No-clean Rosin Cored Wire 280°C Max.For 3 Seconds
 - Wave Soldering.....96.5 Sn/3.0 Ag/0.5 Cu Solder With No-clean Flux 260°C Max.For 5 Seconds
 - Wash Process.....Not Recommended

Electrical Characteristics

- Rating.....9V DC 1A
- Contact Resistance.....
 - Initial<30 mΩ
 - After test.....<100 mΩ
- Withstand Voltage.....500V AC (50-60 Hz, 2 mA) - 1 minute
- Insulation Resistance.....
 - Initial>100MΩ
 - After humidity test.....>50 MΩ

Environmental Characteristics

- Operating Temperature Range.....-10°C to +70°C
- Storage Temperature Range.....-40°C to +85°C

Durability Characteristics

- Operating Life Cycle.....30,000 cycles

Specification

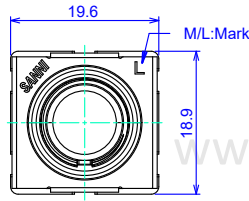
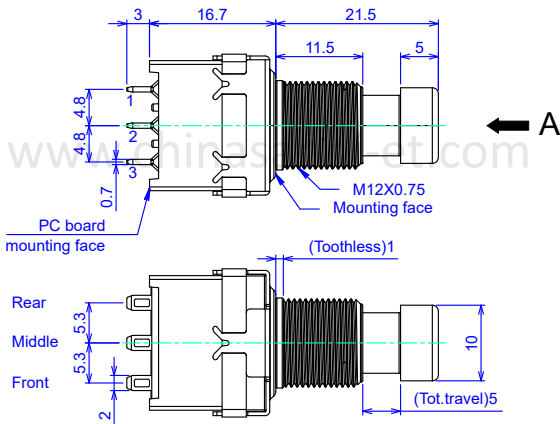
Model	Terminal Type	Pole	Position	Timing
SF17011L-001	Soldering	3	2	Latching
SF17012L-001	PCB	3	2	Latching



Product Dimensions

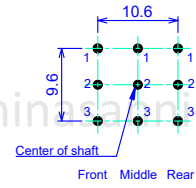
Unit:mm

SF17011L-001



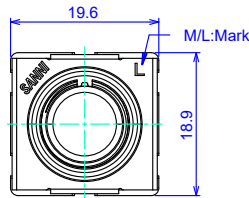
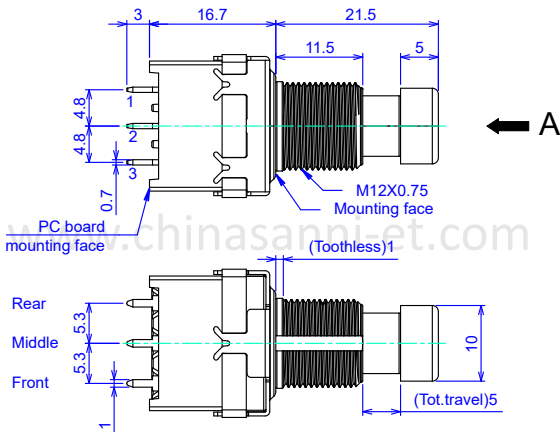
Mounting hole detail

Viewed from Direction A



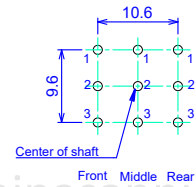
<p>Schematic</p>	M	Push: 1-2 ON Free: 2-3 ON
	L	Push: 1-2 ON Free: 2-3 ON

SF17012L-001



Mounting hole detail

Viewed from Direction A



<p>Schematic</p>	M	Push: 1-2 ON Free: 2-3 ON
	L	Push: 1-2 ON Free: 2-3 ON